

BOSCH DDC COMBO SENSORS

The Bosch line of intelligent zone sensors provides the function and flexibility you need to manage the conditions important to the comfort and productivity of the zone occupants. The ZS sensors are available in a variety of zone sensing combinations to address your application needs. These combinations include temperature, relative humidity, and indoor air quality (carbon dioxide). They are built to be flexible allowing for easy customization of what the user/technician sees. Designed to work with all Bosch controllers the ZS sensor line includes the ZS Base, ZS Plus, and ZS Pro.



ZS Pro



ZS Plus



ZS Standard

Features	ZS Standard	ZS Plus	ZS Pro
Temperature Only	√	√	√
Temperature and Humidity	√		√
Temperature, CO ₂ , and Humidity			√
Neutral color	√	√	√
Addressable / supports daisy-chaining	√	√	√
DIP Switch Addressable	√	√	√
Hidden communication port	√	√	√
Mounts on a standard 2" by 4" electrical box	√	√	√
Occupancy status indicator		√	√
Push-button occupancy override		√	√
Setpoint adjust		√	√
Large, easy- to-read LCD			√
Alarm indicator			√
Info and Mode Button Support			√
Indication of Energy Savings – Economizer Operation			√
Deg F/C Changeover at the Sensor			√
On/Off Button; not just TLO			√
Custom Unit Information on Display (Text and/or Icons)			√

BOSCH DDC COMBO SENSORS

Sensor Model	Description	Bosch Part Number
ZS-FHP	Standard Zone Sensor, no options, FHP Logo	8 733 933 902
ZS-H-FHP	Standard Zone Sensor, w/ Humidity FHP Logo	8 733 933 903
ZSPL-FHP	Plus Zone Sensor with override, slide pot and occupied LED no options FHP Logo	8 733 933 901
ZSP-FHP	Pro Zone Sensor with LCD Display no options FHP Logo	8 733 933 898
ZSP-H-FHP	Pro Zone Sensor with LCD Display w/ Humidity FHP Logo	8 733 933 899
ZSP-HC-FHP	Pro Zone Sensor with LCD Display w/ Humidity and CO2 FHP Logo	8 733 933 900

Sensing Element	Range	Accuracy
Temperature (on non-Humidity models)	-4° to 122° F (-20° C to 50° C)	±0.35° F (0.2° C)
Temperature (on Humidity models)	50° F to 104° F (10° C to 40° C)	±0.5° F (0.3° C)
Humidity	10% to 90%	±1.8% typical
CO ₂	400 to 1250 PPM 1250 to 2000 PPM	±30PPM or +/-3% of reading (greater of two) ±5% of reading plus 30 PPM

Power Requirements	Sensor Type	Power Required
Temperature Only	All Models	12 Vdc @ 8 mA
Temperature with CO ₂ Temperature / CO ₂ / Humidity	All Models	12 Vdc @ 15 mA (idle) to 190 mA (CO ₂ measurement cycle)

Power Supply A controller supplies the Rnet sensor network with 12 Vdc @ 210 mA. Additional power may be required for your application. See sensor ZS Installation Guide

Communication 115 kbps Rnet connection between sensor(s) and controller
15 sensors max per Rnet network; 5 sensors max per control program

Local Access Port For connecting a laptop computer to the local equipment for maintenance and commissioning

Environmental Operating Range 32° to 122° F (0° - 50° C), 10% to 90% relative humidity, non-condensing

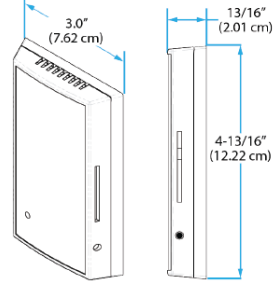
Mounting Dimensions Standard 4"x 2" electrical box using provided 6/32" x 1/2" mounting screws

ZS Pro Display

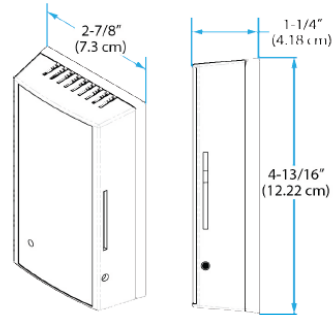


Sensor Dimensions

Temperature Only or Temperature with Humidity



Sensor with CO₂



ZS Pro has the capability of having user specified text or icons displayed on the LCD Display. Up to 96 different icons can be displayed on the LCD.

